

4

3

2

1

D

D

C

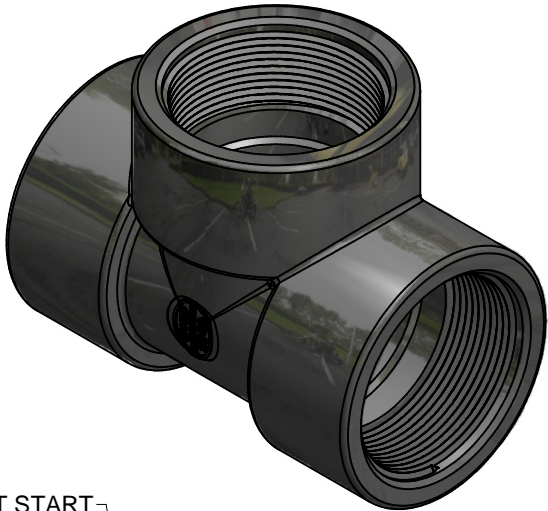
C

B

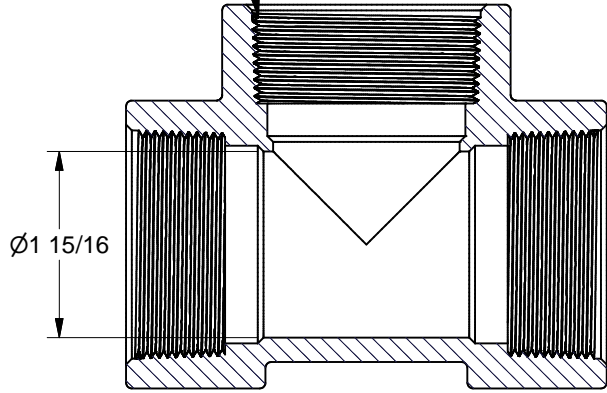
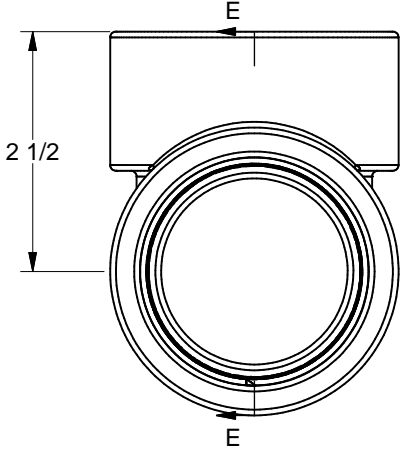
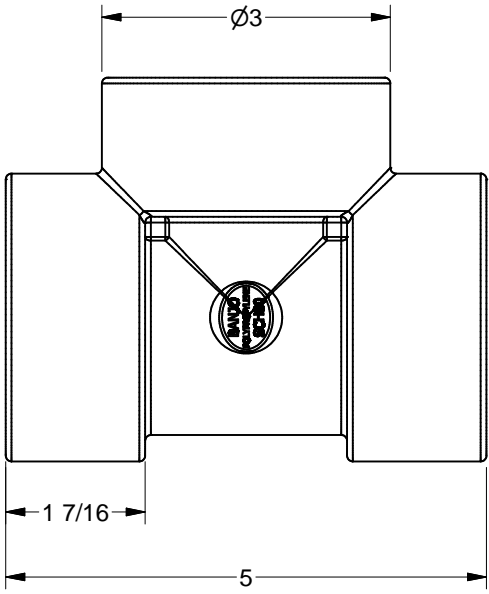
B


A

A



2" ANS BLUNT START
TAPERED PIPE THD



TOLERANCE UNLESS OTHERWISE SPECIFIED		
DECIMALS 0.00 ±0.005 DECIMALS 0.000 ±0.0005 FRACTIONS 1/8 ±0.002 ANGLES ±0.1°		
BREAK ALL SHOWN CORNERS W/ 1/32 R UNLESS OTHERWISE SPECIFIED		
DRAWN BY	ALR	DATE
		3/5/1996
BANJO CORPORATION 150 BANJO DRIVE, CRAWFORDSVILLE, IN 47933		
TITLE		
2" PIPE TEE		
SIZE	DWG TYPE	DWG NO.
C		TEE200
SCALE		SHEET 3 OF 3

4

3

2

1

A

A